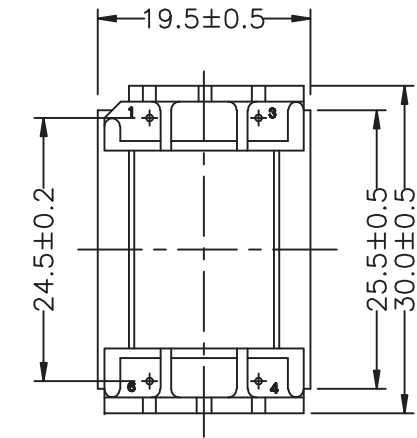
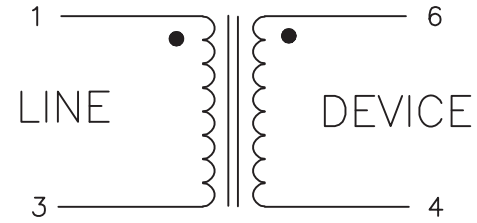
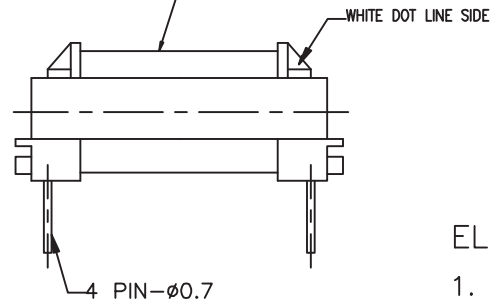
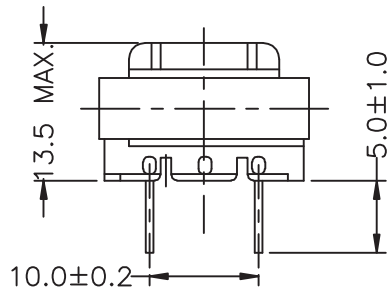



ATS-029R  
Atech  



ELECTRICAL CHARACTERISTICS :

1. DCR : PIN 1-3 = 160Ω MAX.  
PIN 4-6 = 150Ω MAX.
2. INDUCTANCE (@1KHz, 1Vrms W/H 80mA DC) :  
PIN 1-3 = 240mH MIN.
3. IMPEDANCE (@1KHz, 1Vrms W/H 80mA DC PIN 4-6 W/H 600Ω) :  
PIN 1-3 = 600Ω ±10%
4. INSERTION LOSS (@1KHz, PIN 4-6 W/H 600Ω) = 2.5dB MAX.
5. F/R (REF. 1KHZ) : @300Hz = ±1.5dB  
@3400Hz = ±0.5dB
6. RETURN LOSS : @300Hz = 10.0dB MIN.  
@1KHz = 17.5dB MIN.  
@3.4KHz = 17.5dB MIN.
7. POLARITY 1 & 6
8. HI-POT (@3750V, 1mA 1MINUTE) : PRI-SEC
9. RoHS COMPLIANCE

						TITLE TRANSFORMER	
						DWG. NO. ATS-029R	
					UNITS:	SAFETY	
					DATE	P/N:	SHEET 1 of 1 DRAW